

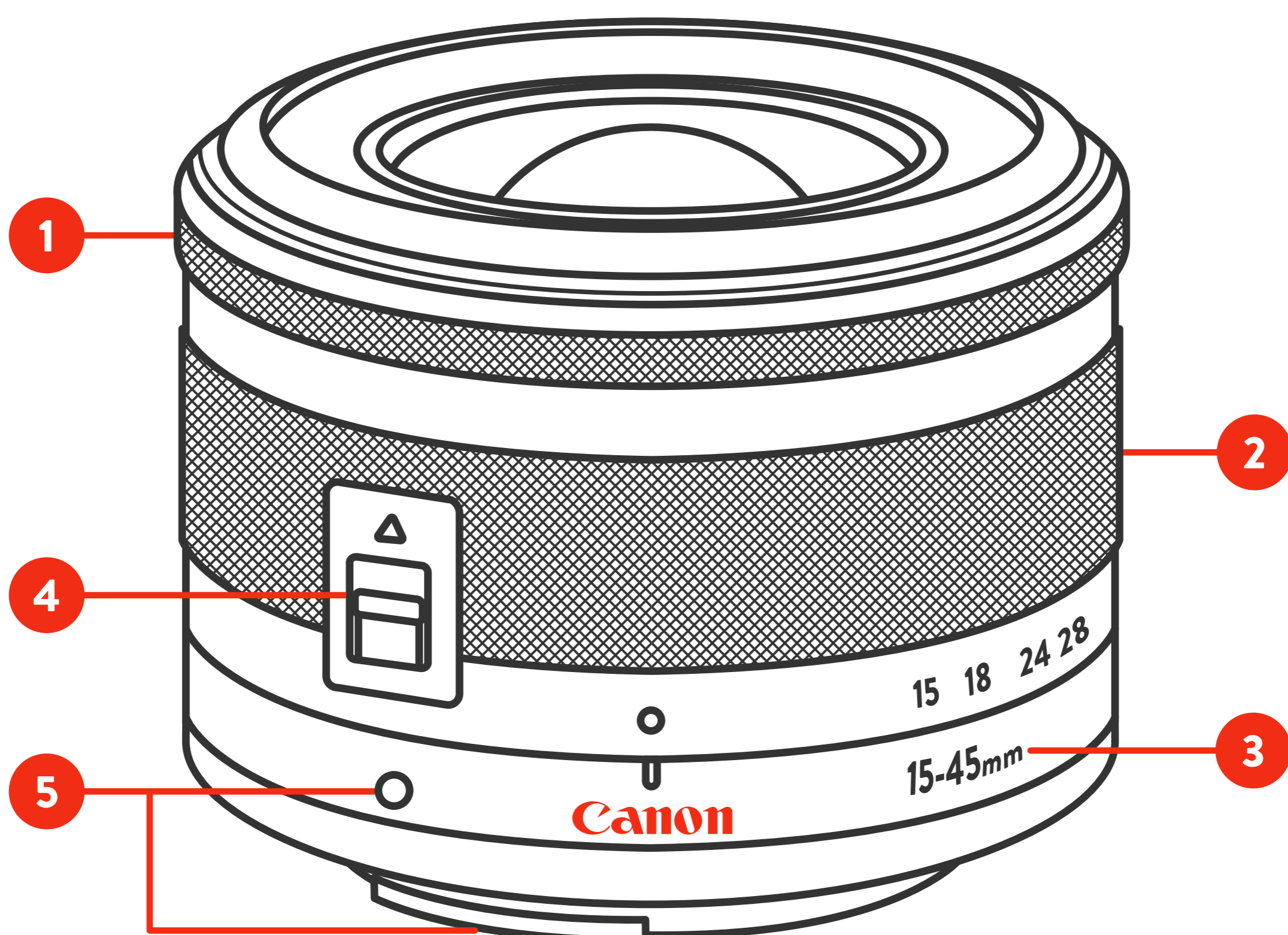
# CANON

## UNDERSTANDING

*your Mirrorless*

## CAMERA LENS

*Just bought your first mirrorless camera lens? Let's take a closer look and find out what each part of the lens represents.*



### 1 Focusing Ring

The focusing ring shifts the lens elements within the lens body so that the subject can be brought to focus. While most lenses now come with auto focusing mechanism, the focusing ring also allows for manual control depending on the photographer's preference and situation. Some photographers prefer to manually focus on their subjects to capture fine details in close-up shots, or when obstacles are in the way. To use it, turn the ring clockwise or anti-clockwise to find the right focus on your subject.

### 2 Zoom Ring

The zoom ring, as its name suggests, allows you to change your focal length by zooming in or out on your subject. It helps when you are standing from a distance and want to get closer without physically moving (zooming in), or when you intend to get a wider shot of a landscape (zooming out). Adjust clockwise or anti-clockwise to find your best composition.

### 3 Focal Length

The focal length, represented in millimetres (mm), determines how much of a scene will be captured in the shot and how much you can zoom. The measurement is not the physical length of the lens, but the magnification properties of it. In technical terms, it is the distance between the convergence point and the imaging sensor. The longer the focal length (larger number), the higher the magnification; the shorter the focal length (smaller number), the wider the angle you will have.

### 4 Lens Release Button

For most Canon mirrorless camera lenses, there is a lock switch on the lens barrel that keeps the lens compact. By unlocking that, you will be able to shoot at its regular focal length, and manoeuvre the zooming mechanism. Note that the lens will not operate unless the switch is unlocked – simply by an upward push.

### 5 Lens Mount

The white dot on the lens barrel matches the dot found on the camera body. This serves as a useful guide when fixing the lens onto the camera body. Match both dots and insert the lens mount into the camera, and turn to lock securely.